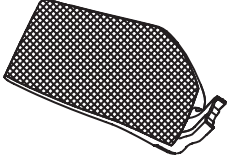



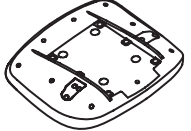



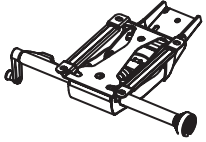

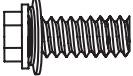


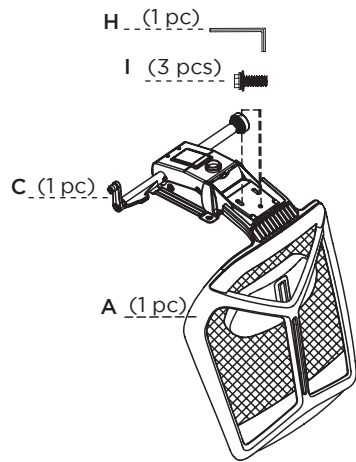
# User Guide and Assembly Instructions

## IGNITE

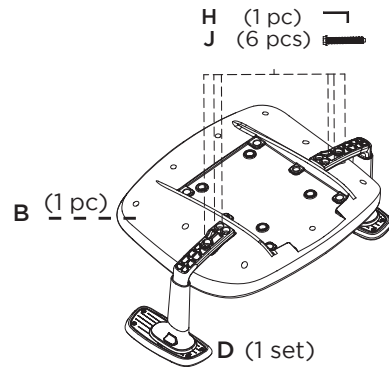
### Parts and Hardware

			
<p>A Back (1 pc)</p>	<p>D Armrest (1 pc)</p>	<p>G Caster (5 pcs)</p>	<p>J Bolt (5/16" * 2 -1/2") (6 pcs)</p>
			
<p>B Seat (1 pc)</p>	<p>E Gas Lift (1 pc)</p>	<p>H Allen Key M5 (1 pc)</p>	<p>K Bolt (5/16" * 1 -1/2") (4 pcs)</p>
			
<p>C Seating Mecanism (1 pc)</p>	<p>F Base (1 pc)</p>	<p>I Bolt (5/16" * 3/4") (3 pcs)</p>	

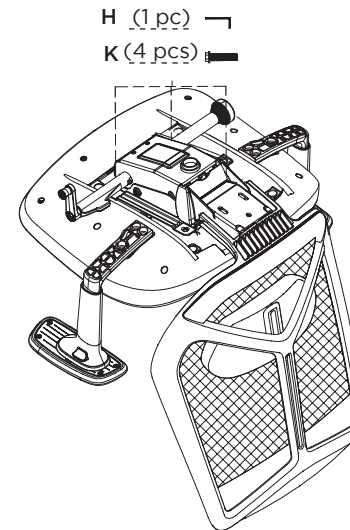
# Assembly Instructions



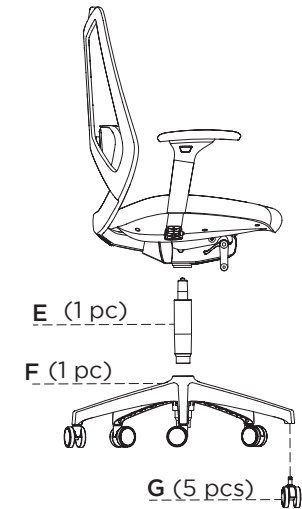
**Step 1**  
Attach the Back [A] to the Seating Mechanism [C] using (I) Bolt with Allen Key [H]. Place aside.



**Step 2**  
Attach the Armrest [D] to the Seat [B] using Bolt [J] and tighten with Allen Key [H].



**Step 3**  
Attach seat [B] and seat mechanism [C] by using Bolt [K] and tighten using Allen Key [H].



**Step 4**  
Insert casters [G] into the base [F]. Push hard until you feel or hear the casters [G] snap into place.

**Step 5**  
With the base [F] upright and the casters [G] on the floor, insert the gas lift [E] into the base [F].

**Step 6**  
Attach the seating mechanism [C] onto the gas lift [E].

# User Guide



Ignite

## Functions:

1. Use button on the outside of the armrest to adjust the height of the armrest.
2. Pull lever on the right side of the chair to adjust the height of the chair.
3. Pull out lever from right side of the chair and rotate to tighten or loosen the reclining tension.
4. Push lever on the back of the chair to adjust lumbar support.
5. Armrest can swivel inward, outward, forward, & backward.
6. Rotate knob on the left side clockwise by one click to lock seat from reclining. Rotate clockwise by one click again to lock into place.

# Product Dimensions

